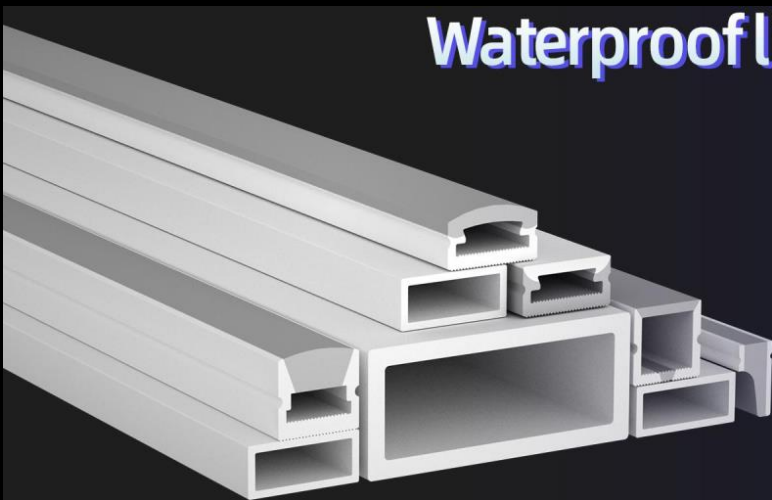




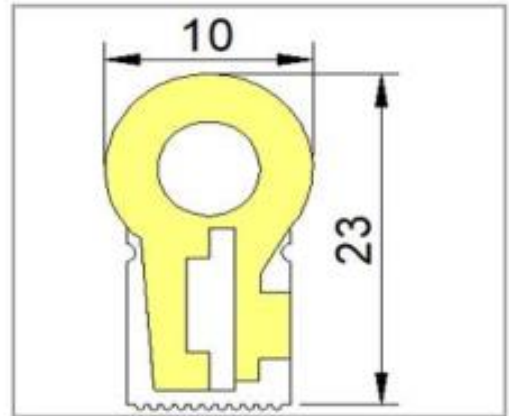
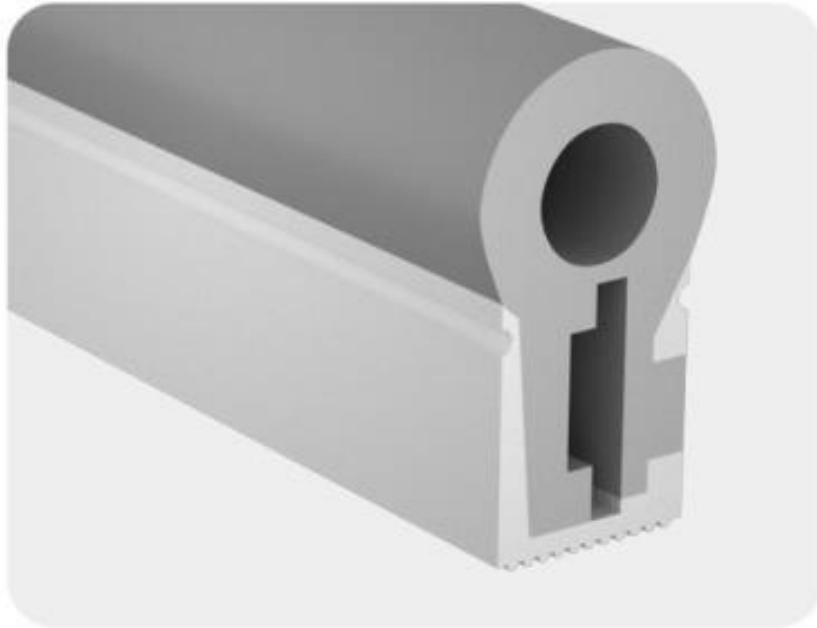
CATALOGO DE PERFIL DE SILICONE

Waterproof light strip series



MX-1023

Side luminescent



Section size: 10mm*23mm

Lighting direction:
Side luminescent

PCB Width: 10mm

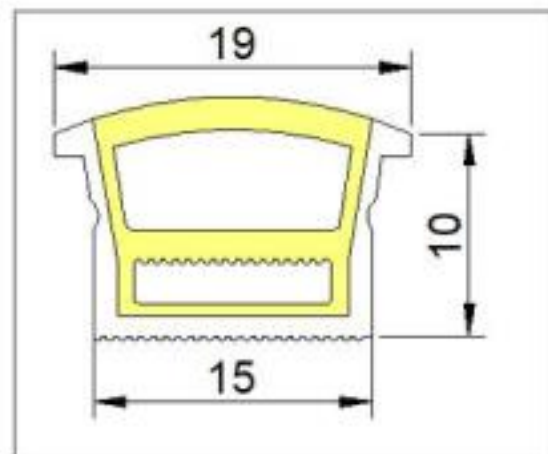
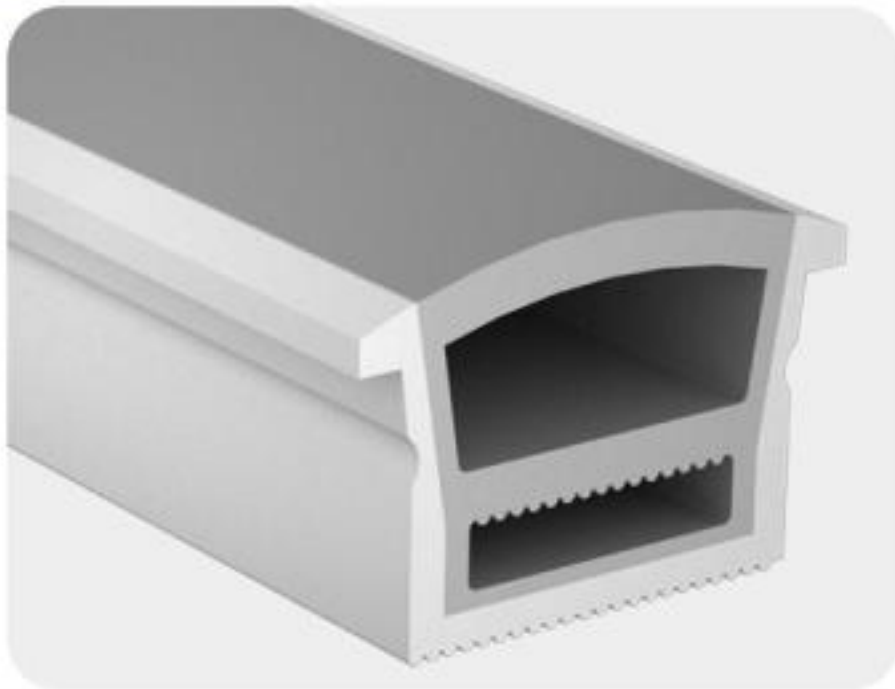


End cap with hole

End cap no hole



MX-1510A



Section size:
15mm*10mm*19mm

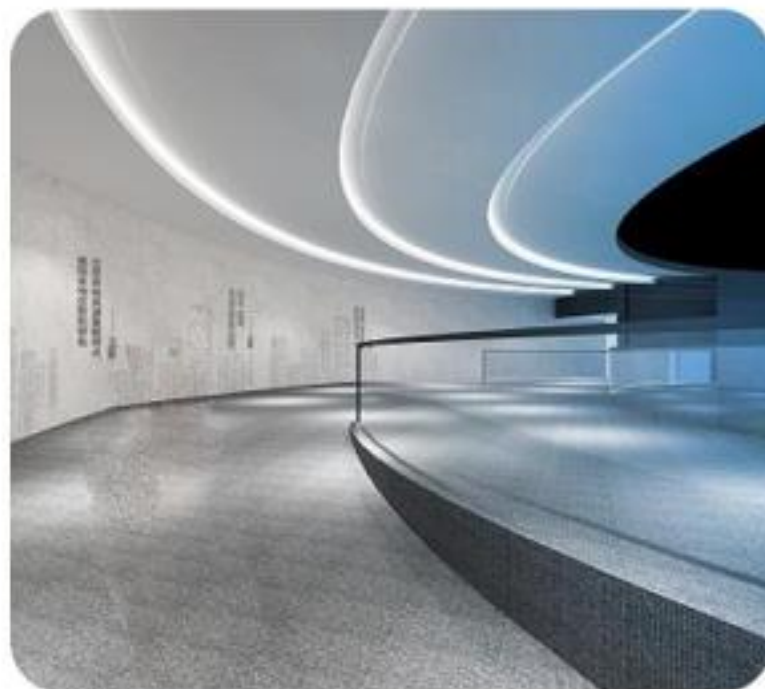
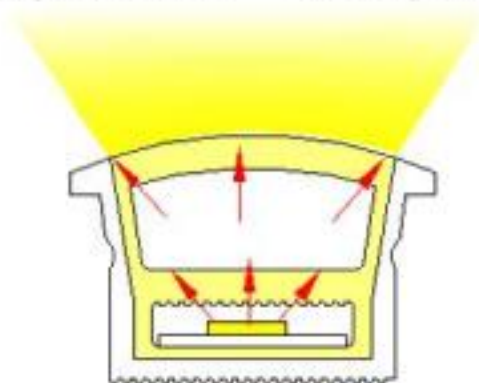
Lighting direction: front light

PCB Width: 8-10mm



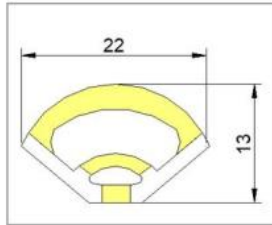
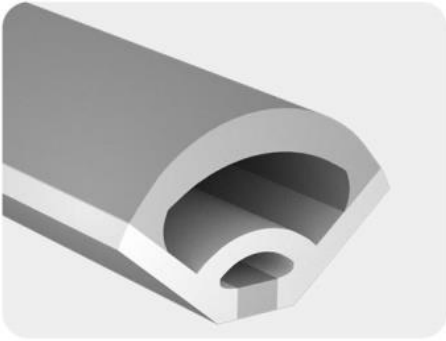
End cap with hole

End cap no hole



MX-V22

90°



Section size: 22mm*13mm

Lighting direction: 90° lighting

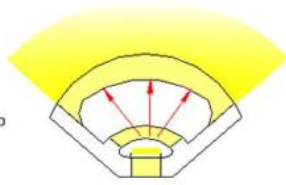
PCB Width: 8mm



End cap with hole

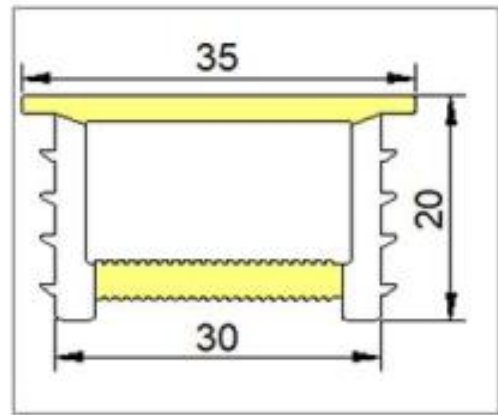
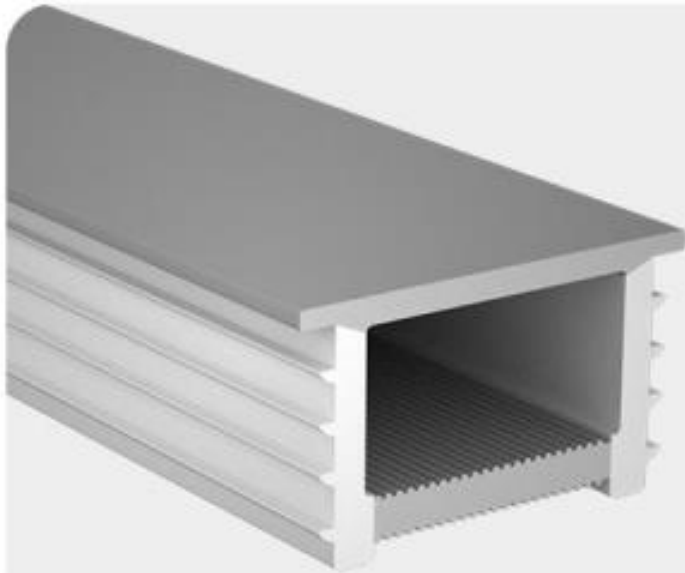
End cap no hole

Aluminum Clip



MX-3020A

Avoid wearing led strip

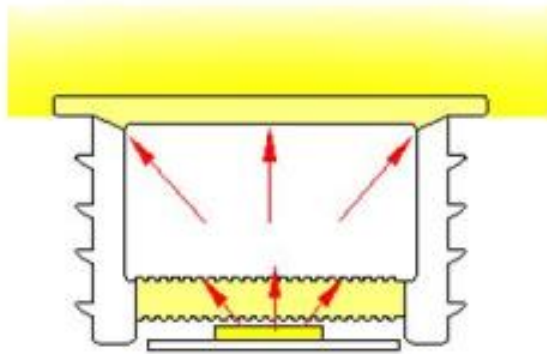


Section size:

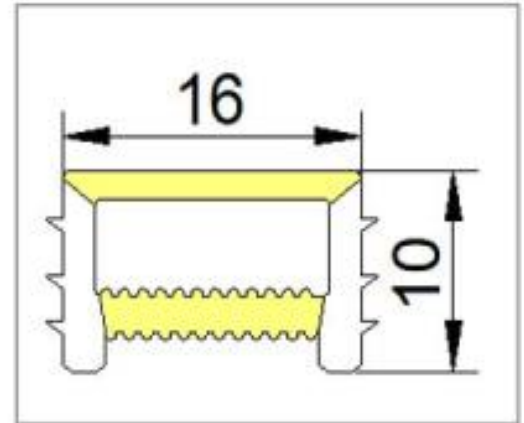
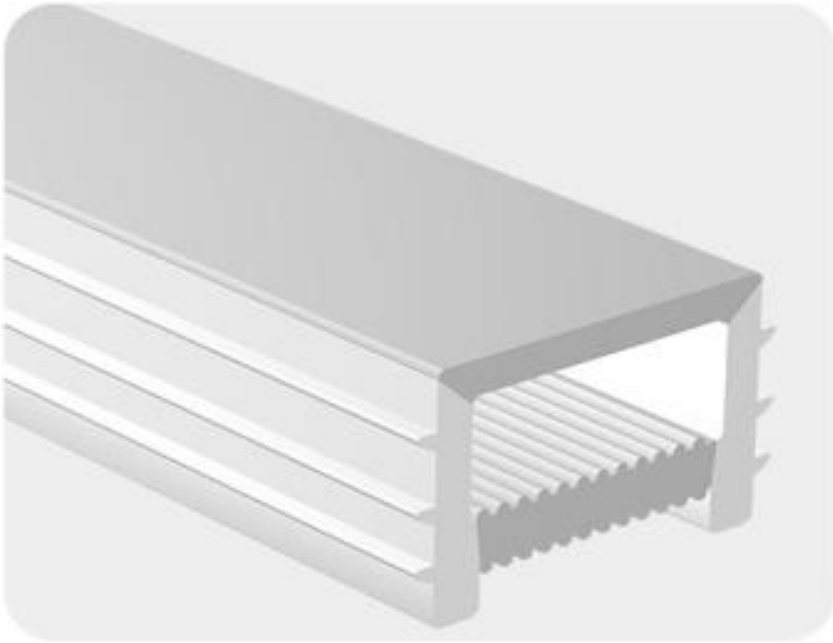
30mm*20mm*35mm

Lighting direction: front light

PCB Width: 10-20mm



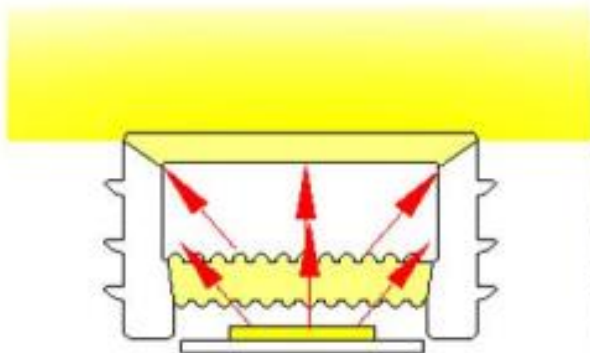
MX-1610B
Avoid wearing led strip



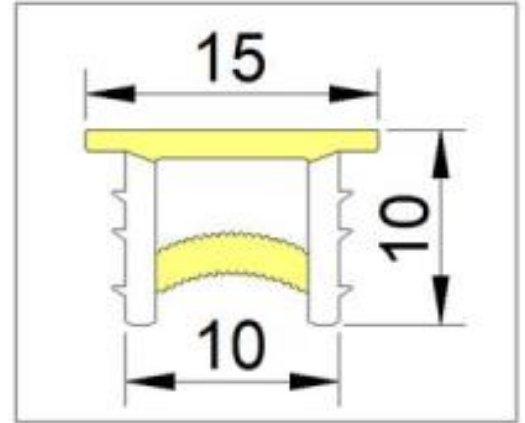
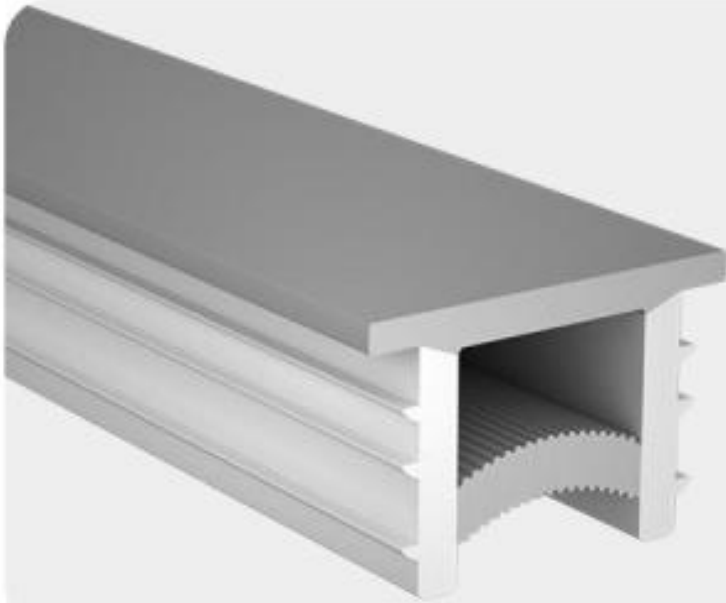
Section size: 16mm*10mm

Lighting direction: front light

PCB Width: 8-10mm



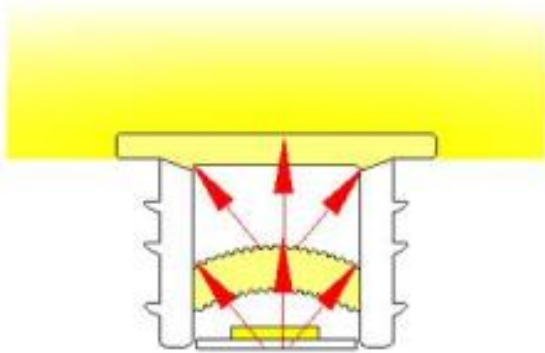
MX-1010A
Avoid wearing led strip



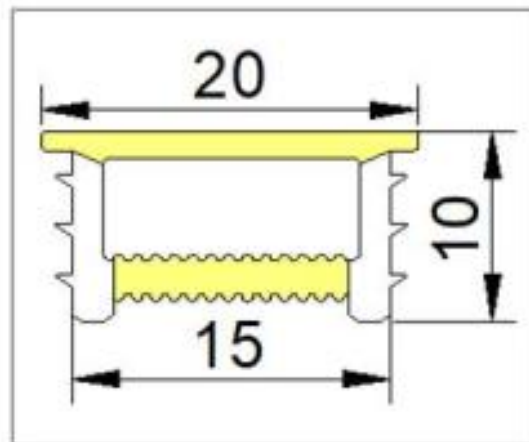
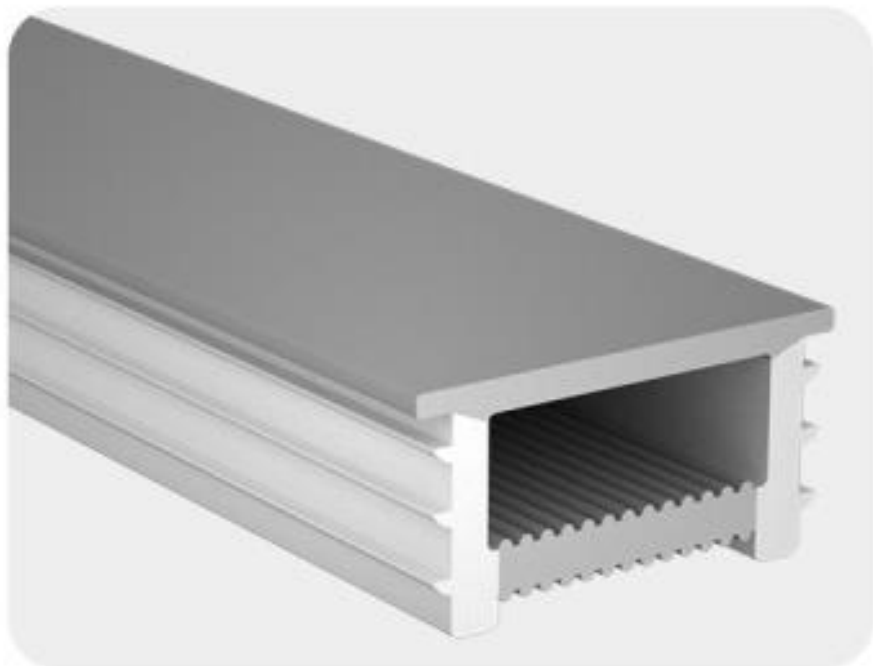
Section size:
10mm*10mm*15mm

Lighting direction: front light

PCB Width: 8mm



MX-1510A
Avoid wearing led strip

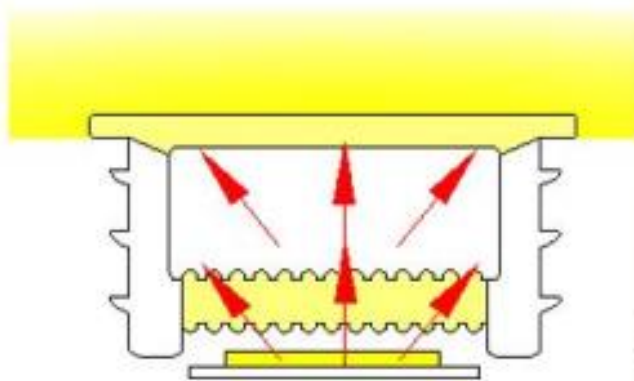


Section size:

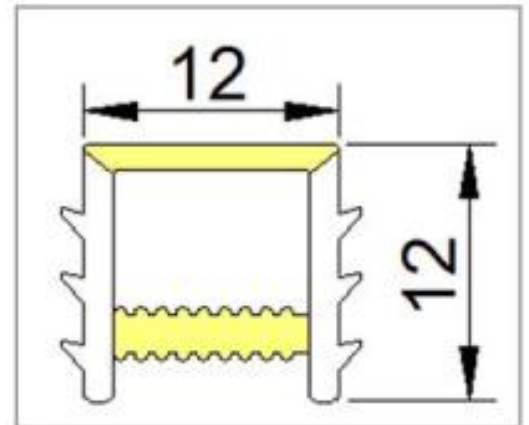
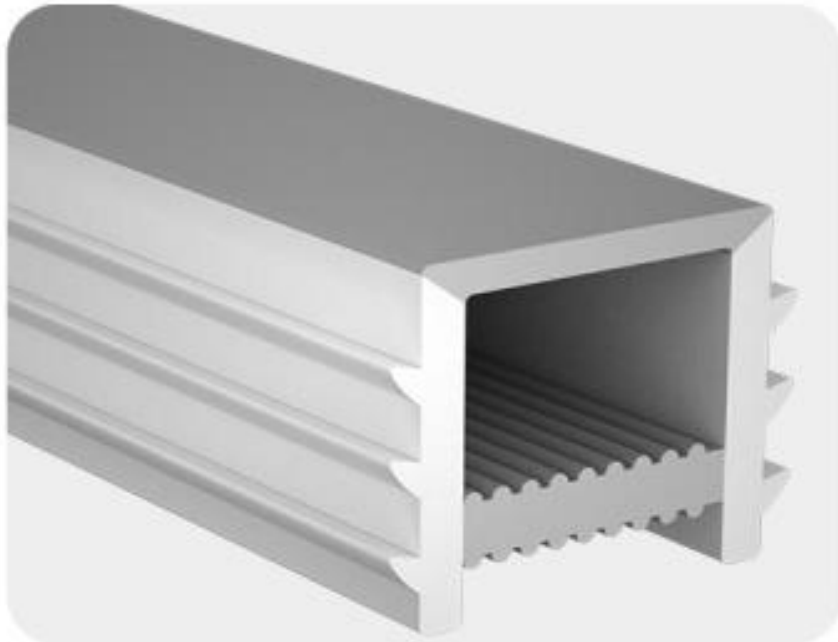
15mm*10mm*20mm

Lighting direction: front light

PCB Width: 8-10mm



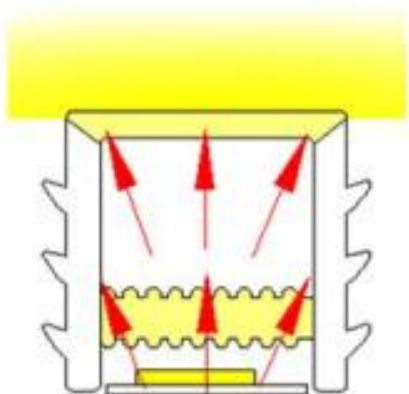
MX-1212B
Avoid wearing led strip



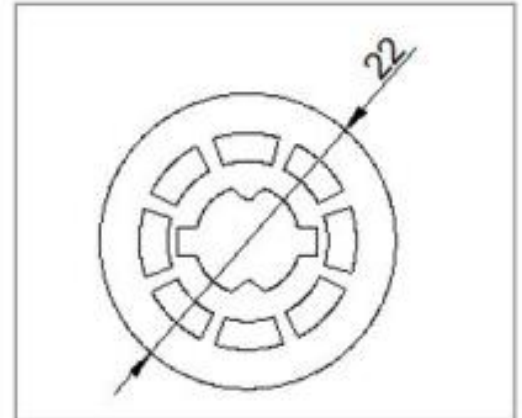
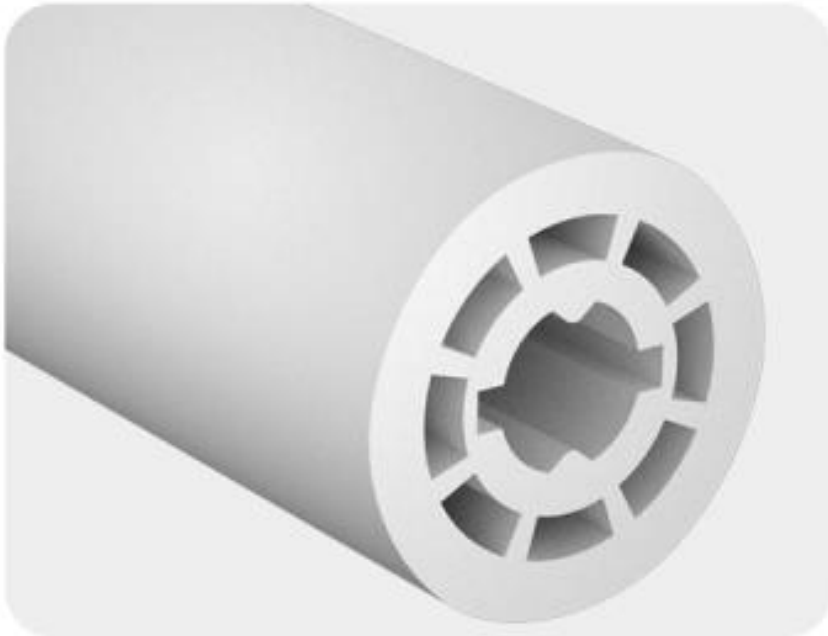
Section size:
12mm*12mm*16mm

Lighting direction: front light

PCB Width: 8mm



MX-D22
thin 360°



Section size: $\Phi 22\text{mm}$

Lighting direction: 360° lighting

PCB Width: 8mm



End cap with hole



End cap no hole

